

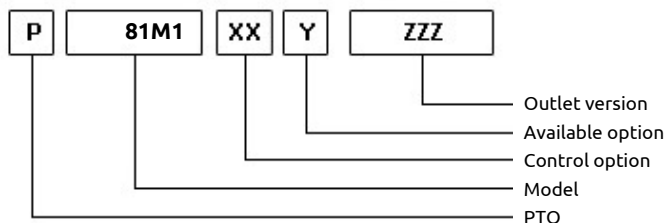
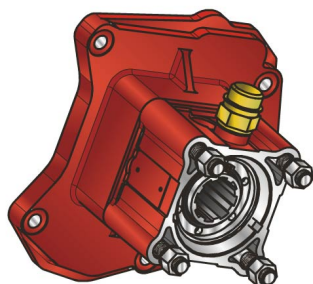


**Hydrocar**  
Hydraulic Energy

# 81M1

#PTO POS. H. D. MERCEDES G240(ACTROS)

POSSIBLE SOLUTIONS



05/11/2019

TEC. SPECIFICATIONS

<b>Status</b>	In production	<b>Revision</b>	1
	<b>Outlet 1</b>	<b>Replaces</b>	2706
<b>Torque (NM)</b>	1000	<b>Replaced by</b>	
<b>Int. Ratio</b>	1		
<b>Teeth number</b>	12		

CONTROL TYPE HYDROCAR

- Electric  
  Hydraulic  
  Mechanic  
  Fixed engagement  
  Pneumatic  
  Vacuum system

CONTROL VERSIONS (XX)

Type	81Z1	Description
P (Pneumatic)	1	#Cmd. M12x1.5 con raccordo
P (Pneumatic)	2	#Cmd. M12x1.5 senza racc.

AVAILABLE OPTIONS (Y)

81Z1	Description	Lubr. Kit	Switch Kit	Reinforced
0	#Non presente			<input checked="" type="checkbox"/>
4	#Con kit interrut. Kostal		194KSP41000	<input checked="" type="checkbox"/>
5	#Con kit interrut. Merit		194KSP19000	<input checked="" type="checkbox"/>
6	#Con kit interrut. T.D.S.		194KSP40000	<input checked="" type="checkbox"/>
A	#Versione per cambi Euro 2			<input checked="" type="checkbox"/>

OUTLET VERSIONS (ZZZ)

81Z1	Description
204	Pump drive SE 4-Bolts



**Hydrocar**  
*Hydraulic Energy*

**81M1**

#PTO POS. H. D. MERCEDES G240(ACTROS)

Conversion kit	
Flange kit	
Lubrication kit	
Switch kit	
81Z1	Description
194KSP19000	#DIN2.5 M16x1.5 N.C.
194KSP40000	#TDS M 16x1.5 N.C.
194KSP41000	#EATON N.C.
Bracket kit	
ELECTRIC KITS	



**Hydrocar**  
*Hydraulic Energy*

# 81M1

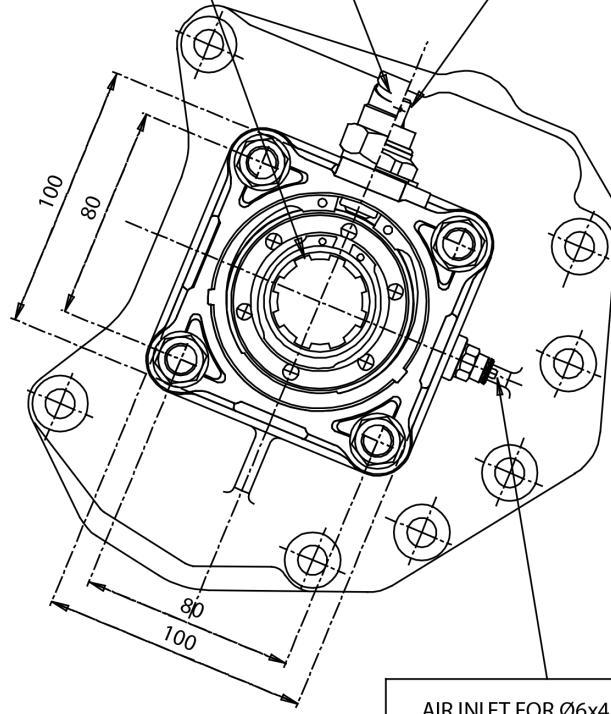
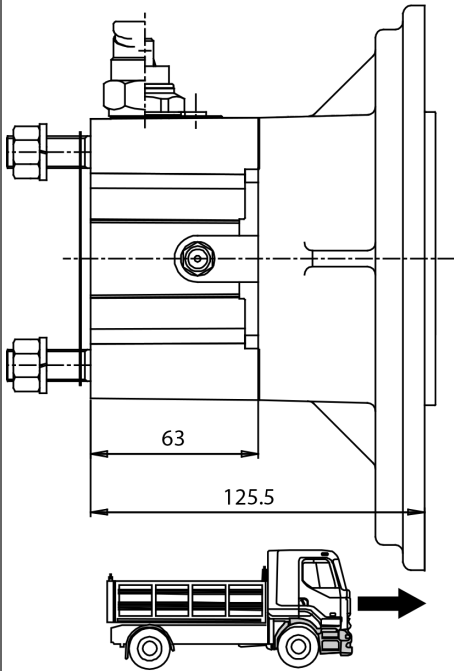
#PTO POS. H. D. MERCEDES G240(ACTROS)

TECH.PICTURE

BAYONET TYPE DIN 2.5

A8x32x36 DIN 5462

FASTON 6.4 mm CONNECTION



AIR INLET FOR Ø6x4 PIPE



**Hydrocar**  
*Hydraulic Energy*

# 81M1

#PTO POS. H. D. MERCEDES G240(ACTROS)

EXPLODED VIEW

